

# BIG Architecture Ljubljana

**Information for Exhibitors:**  
assembly & disassembly

## The exhibition module

The exhibition module bearing the exhibitor's name will be provided by the organiser. The module comes in black colour regarding both its interior as well as the exterior. Exhibitors are requested to furnish their exhibition module in accordance with the organiser's rules. The exhibited items are to be put on display only within the dimensions of the exhibition module, whereby there are two possibilities of furnishing the exhibition space, both options being further specified on the next two pages. Please note that the exhibition module is to be equipped only from the inside, while its exterior shall remain unchanged.

**Dimensions of the module:** height: 250 cm, depth: 125 cm, length: 250 cm, thickness of the walls: 18 mm

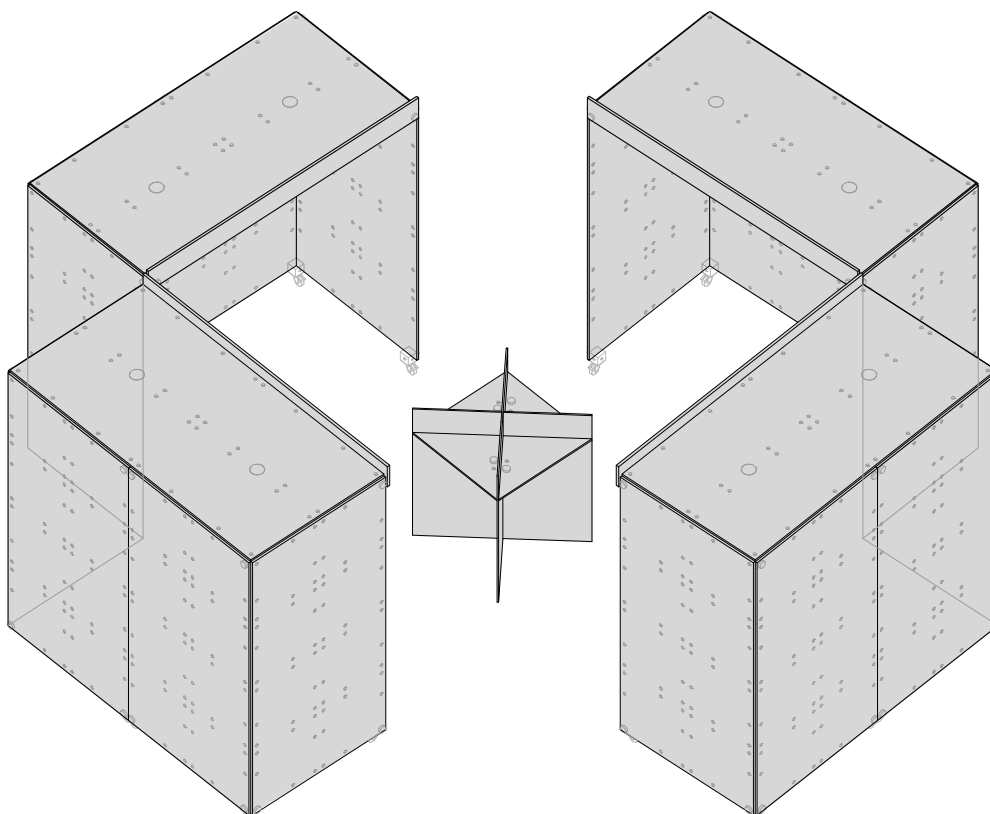
**Exhibition modules come with two options** (see pictures below):

- Option with attachment
- Option with embedding

**Lighting:** The lighting, consisting of two lights placed on the ceiling of the exhibition module, shall be provided by the organiser.

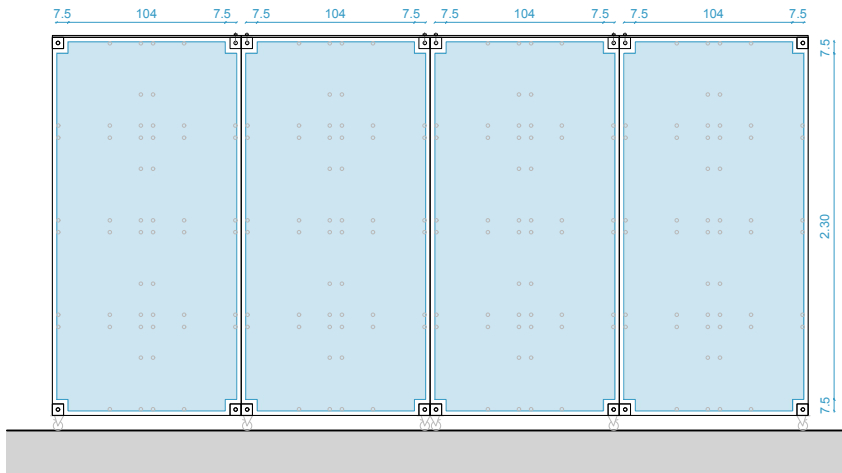
**Electricity:** Each exhibition table will be equipped with one electrical connection provided by the organiser. Exhibition modules don't have electrical connection, it can be ordered additionally. The cost of the additional electrical connection is 50 €. Exhibitors are requested to notify the organiser about their demands regarding additional electrical connections.

**The exhibition modules will be arranged in groups of four.** In the middle of the room, a table will be provided which will also be divided into four sections, one for each of the exhibitors. This table will serve as some kind of an information point where you will be able to place your computer, products, leaflets etc. Under the table, an additional storage unit will be provided for the exhibitors.

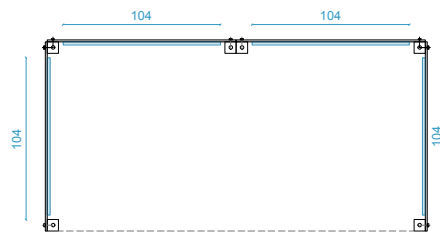


## Exhibition module – option with attachment

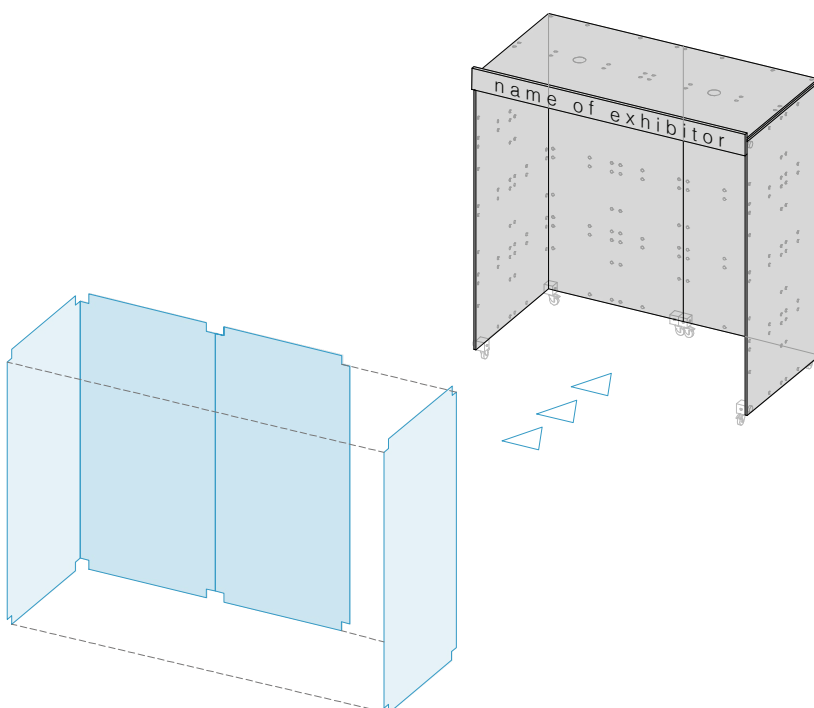
The existing internal walls of the exhibition module can be furnished with different contents, attaching them in different ways (screwing, gluing, etc.). In case you opt for different interventions regarding the walls of the exhibition module, thus modifying the walls with different types of fixings, you will be charged additional costs of € 200 per an OSB wall.



module spread out



floorplan

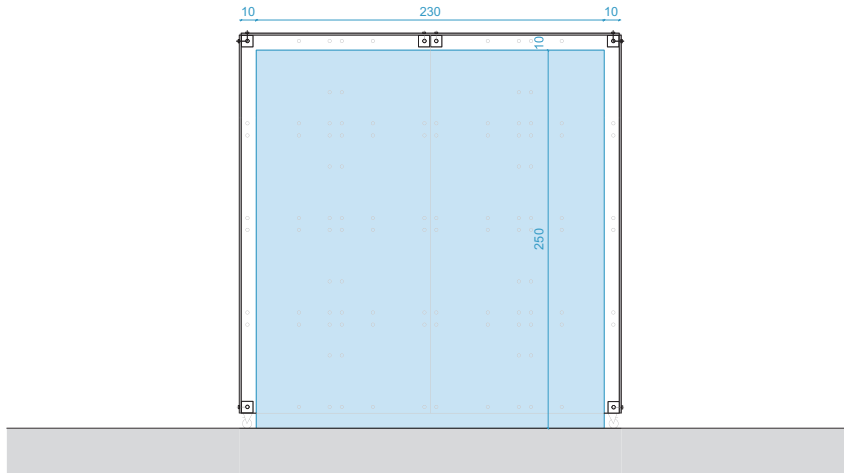


provided module

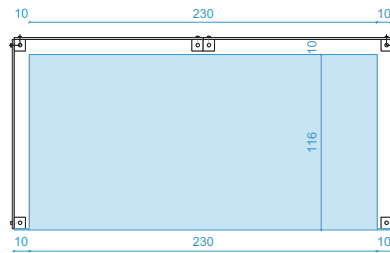
your attachments

## Exhibition module – option with embedding

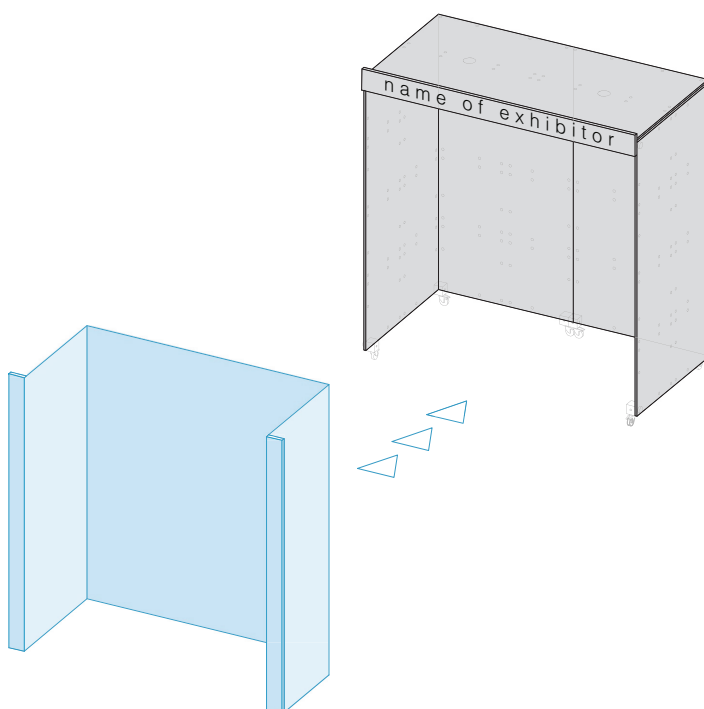
Exhibitors bring their own exhibition structures and place them inside the larger provided exhibition module, leaving the walls of the existing OSB structure, provided by the organiser, unchanged.



cross section



floorplan



provided module

your embedding